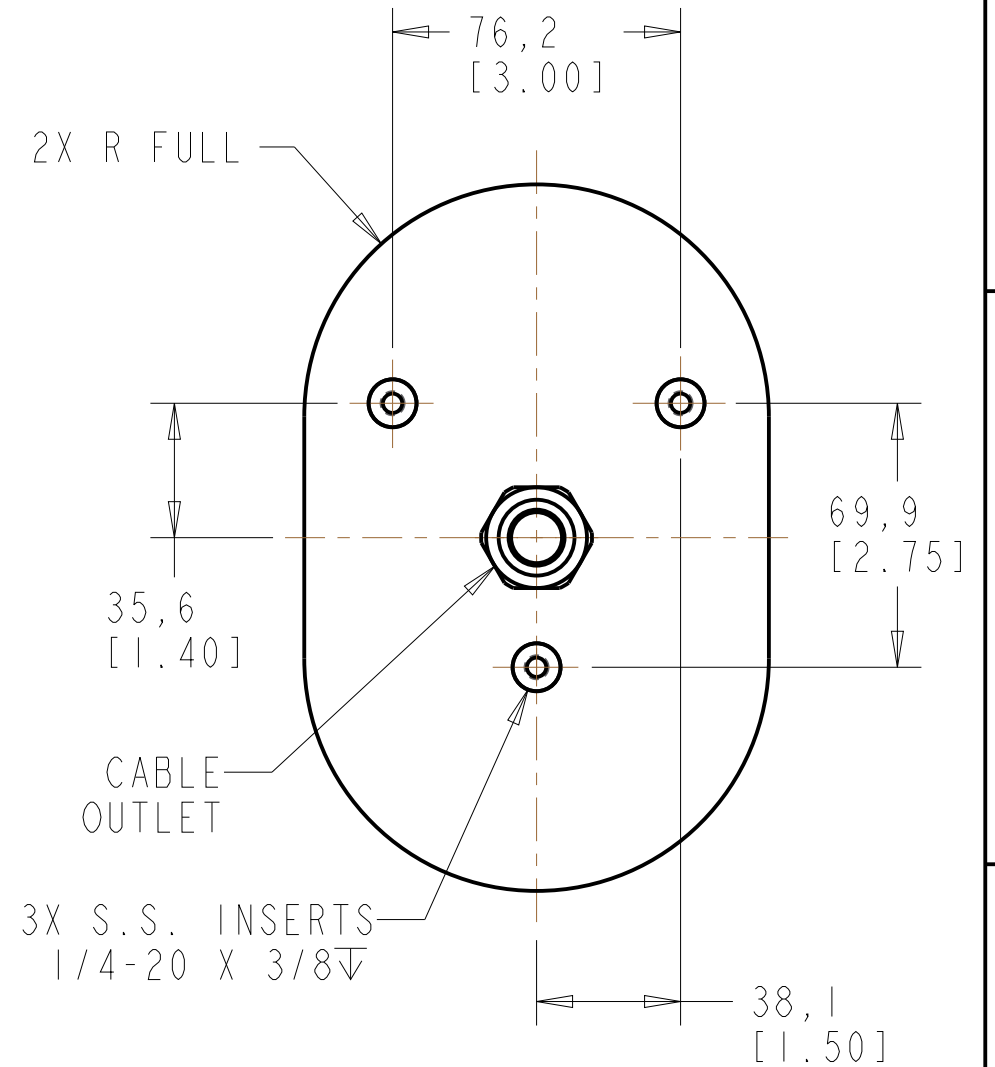
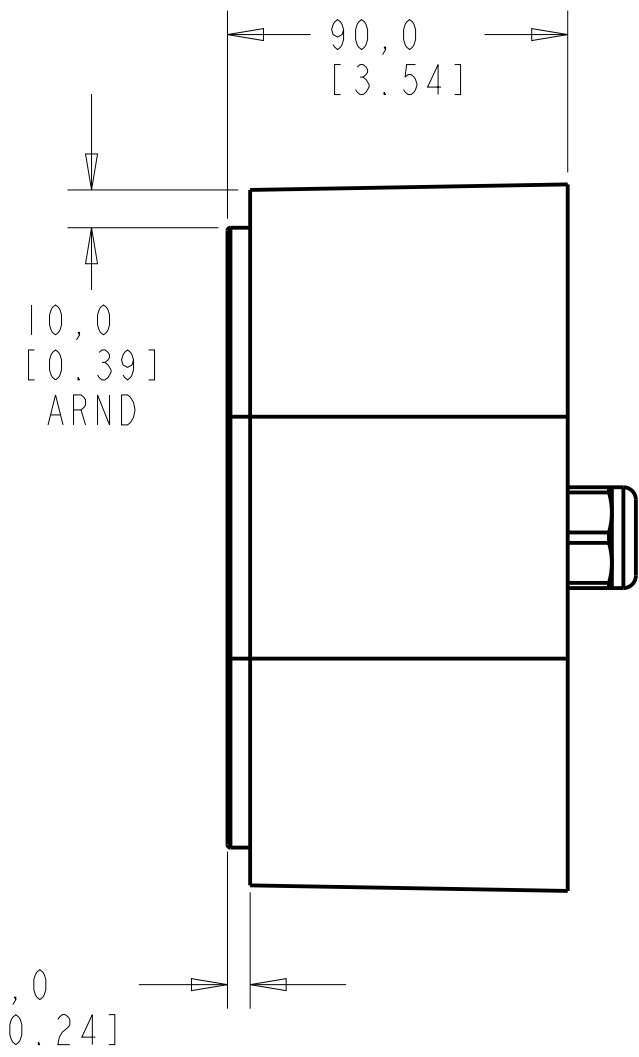
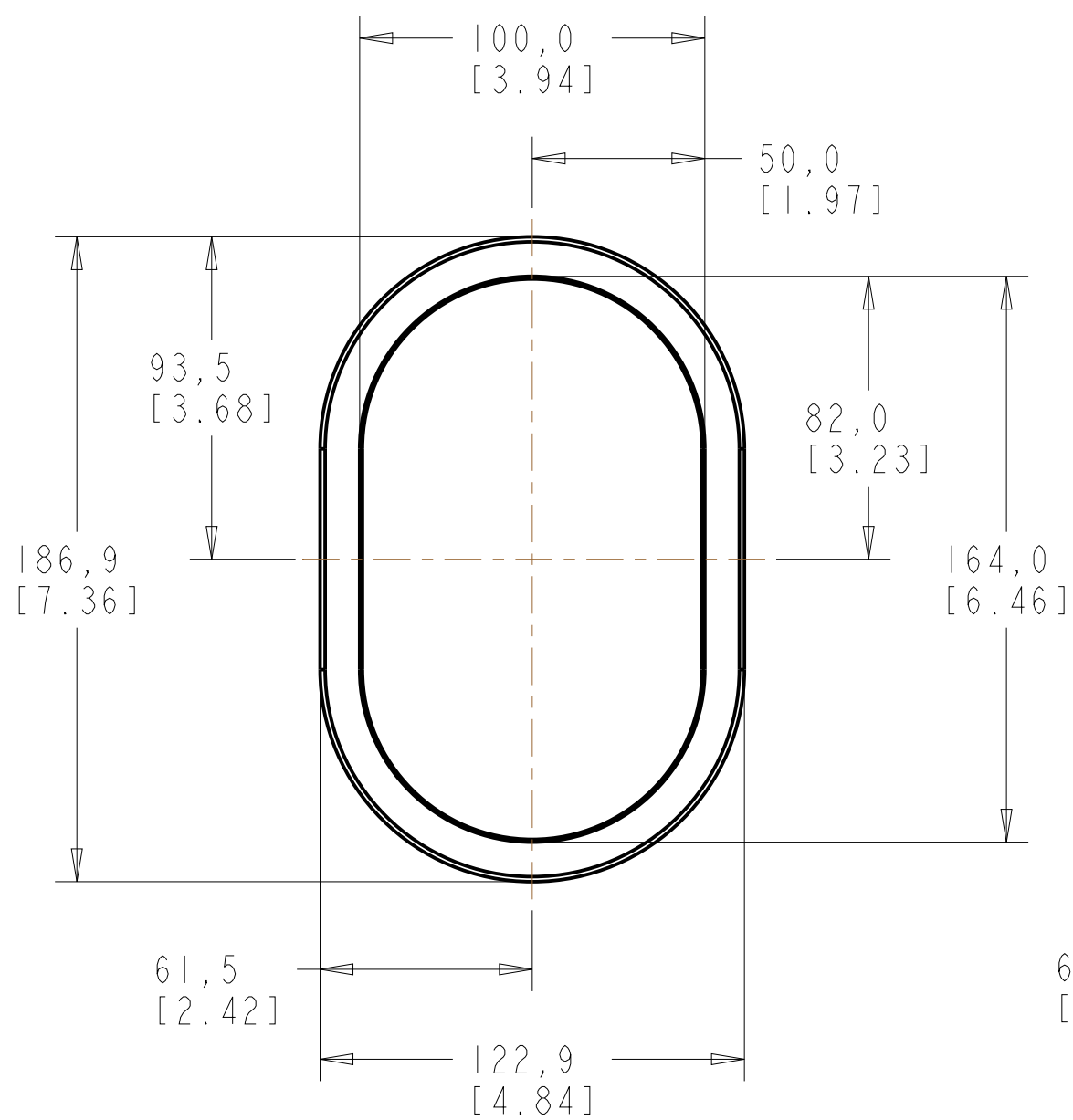


THIRD ANGLE PROJECTION		DOCUMENT REVISIONS			
	REV	DESCRIPTION	CO NO.	DATE	CHG/CHK
	1	INITIAL RELEASE	2522	03/30/21	FSC/LRS



PART NUMBER	P/N REV
N/A	N/A

UNLESS OTHERWISE SPECIFIED DIMENSIONS ARE IN MILLIMETERS TOLERANCES ON 2 PL DECIMALS: ±1 3 PL DECIMALS: ±0.5 ANGLES: ±1/2°	SIGNATURE	DATE
	DRAWN: F.CHASE	12/15/11
	CHECKED: R.CULLEN	12/15/11

AIRMAR AIRMAR TECHNOLOGY CORPORATION
35 MEADOWBROOK DR
MILFORD NH 03055-4613 USA
TEL: 603-673-9570 FAX: 603-673-4624

MATERIAL
CAST URETHANE WITH
STAINLESS STEEL INSERTS

TITLE
OUTLINE DRAWING
CM260, CM265 AND CM275

SIZE	SCALE: 1/2	DOC NUMBER	DOC REV
B	SHEET 1 OF 1	D-92-270-01	1

THIS DOCUMENT AND THE DATA DISCLOSED HEREIN OR HEREWITH IS NOT TO BE REPRODUCED, USED, OR DISCLOSED IN WHOLE OR IN PART TO ANYONE WITHOUT THE PERMISSION OF AIRMAR

CRITICAL DIMENSIONS (REF) DO NOT SCALE DRAWING