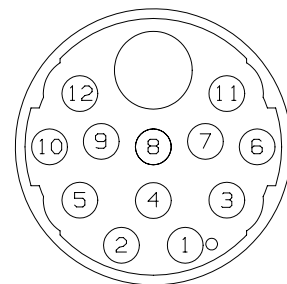
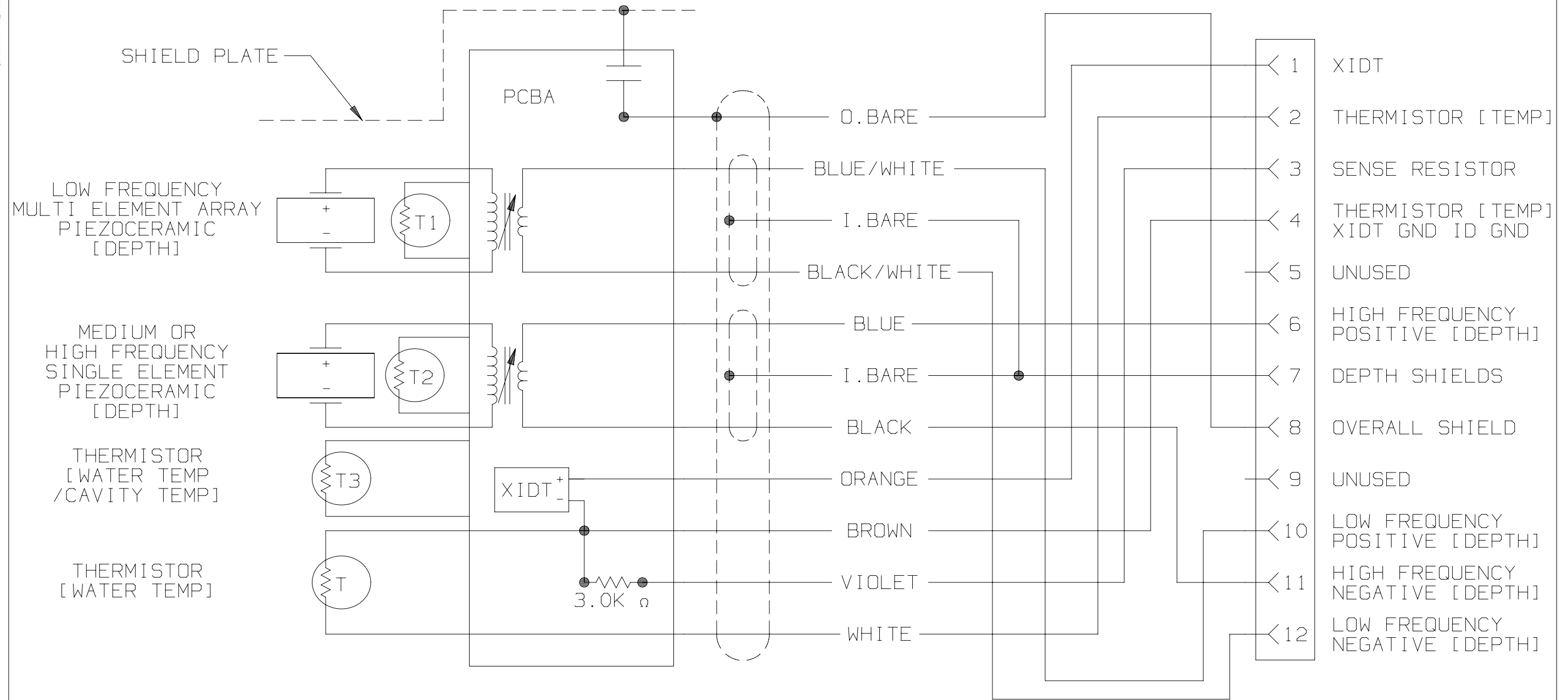


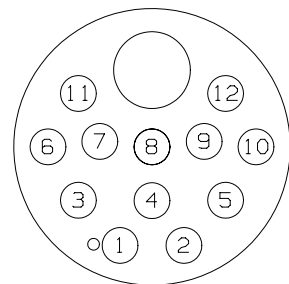
NOTES:

1. INNER BARE WIRES ARE CUT OFF INSIDE THE TRANSDUCER.

THIRD ANGLE PROJECTION		REVISIONS			
	REV	DESCRIPTION	ECO NO	DATE	CHG/CHK
	01	RELEASE TO PRODUCTION	14837	12/06/17	RLE/CDS



SOLDER LUG VIEW



12 PIN FEMALE CONNECTOR

CONTACT VIEW

UNLESS OTHERWISE SPECIFIED	SIGNATURE	DATE
DIMENSIONS ARE IN INCHES	ORIGINATOR I.ROBB	03/07/17
TOLERANCES ON	DRAWN I.ROBB	03/07/17
2 PL DECIMALS ±0.02	CHECKED A.BIATHROW	03/07/17
3 PL DECIMALS ±0.005	APPROVED W.LETENDRE	03/07/17
ANGLES ± 1/2°		
FRACTIONS ± 1/32		
SURFACE FINISH 53		
MATERIAL	AIRMAR CABLE: 06-334 CONNECTOR: 05-929-01	

AIRMAR	AIRMAR TECHNOLOGY CORPORATION 35 MEADOWBROOK DR MILFORD NH 03055-4613 USA TEL: 603-673-9570 FAX: 603-673-4624	
	TITLE WIRING, DUAL FREQUENCY, XIDT, DEPTH/TEMP MULTI ELEM L & 1 ELEM M/H/HW C334, 12F-MM [TM265]	
SIZE B	SCALE: NONE SHEET 1 OF 1	NUMBER 91-1364 REV 01