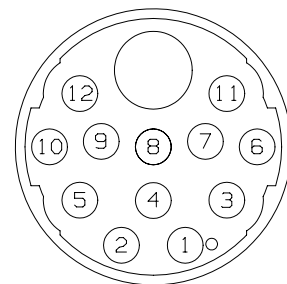
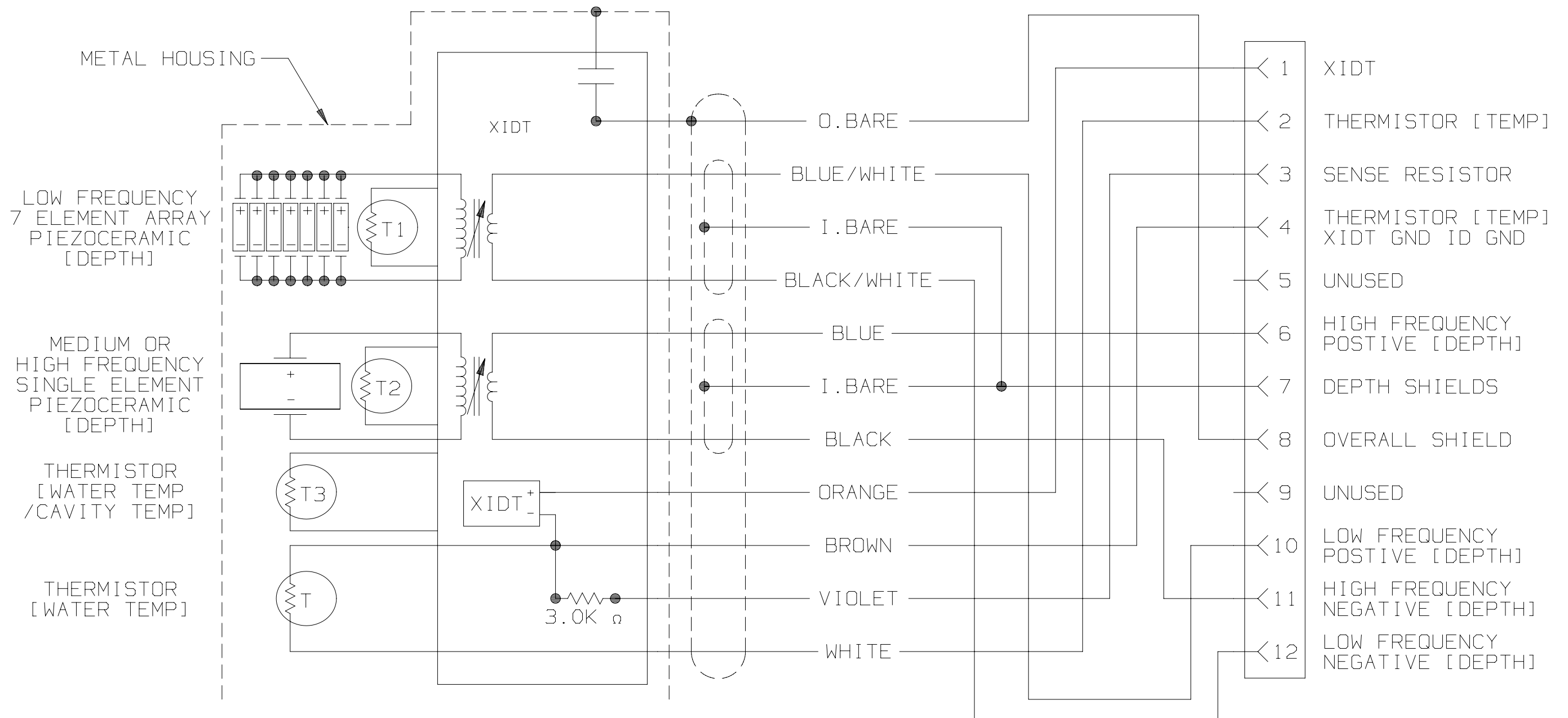


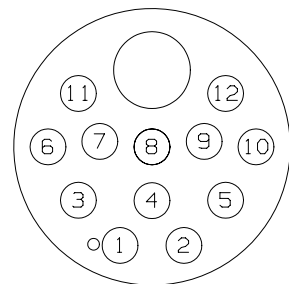
NOTE:

1. INNER BARE WIRES ARE CUT OFF INSIDE THE TRANSDUCER.

THIRD ANGLE PROJECTION		REVISIONS			
	REV	DESCRIPTION	ECO NO	DATE	CHG/CHK
	01	RELEASE TO PRODUCTION.	13854	09/22/16	TLY/CDS



SOLDER LUG VIEW



12 PIN FEMALE CONNECTOR

CONTACT VIEW

UNLESS OTHERWISE SPECIFIED DIMENSIONS ARE IN INCHES TOLERANCES ON 2 PL DECIMALS ±0.02 3 PL DECIMALS ±0.005 ANGLES ± 1/2° FRACTIONS ± 1/32 SURFACE FINISH 53	SIGNATURE	DATE
	ORIGINATOR I.ROBB	07/08/16
	DRAWN T.YOHE	07/12/16
	CHECKED I.ROBB	07/13/16
	APPROVED W.LETENDRE	07/13/16
MATERIAL	AIRMAR CABLE: 06-334 CONNECTOR: 05-929-01	

		AIRMAR TECHNOLOGY CORPORATION 35 MEADOWBROOK DR MILFORD NH 03055-4613 USA TEL: 603-673-9570 FAX: 603-673-4624	
TITLE WIRING, DUAL FREQUENCY, XIDT, DEPTH/TEMP 7 ELEM L & 1 ELEM H C334, 12F-MM [B265]			
SIZE B	SCALE: NONE	NUMBER 91-1321 REV 01	
SHEET 1 OF 1			