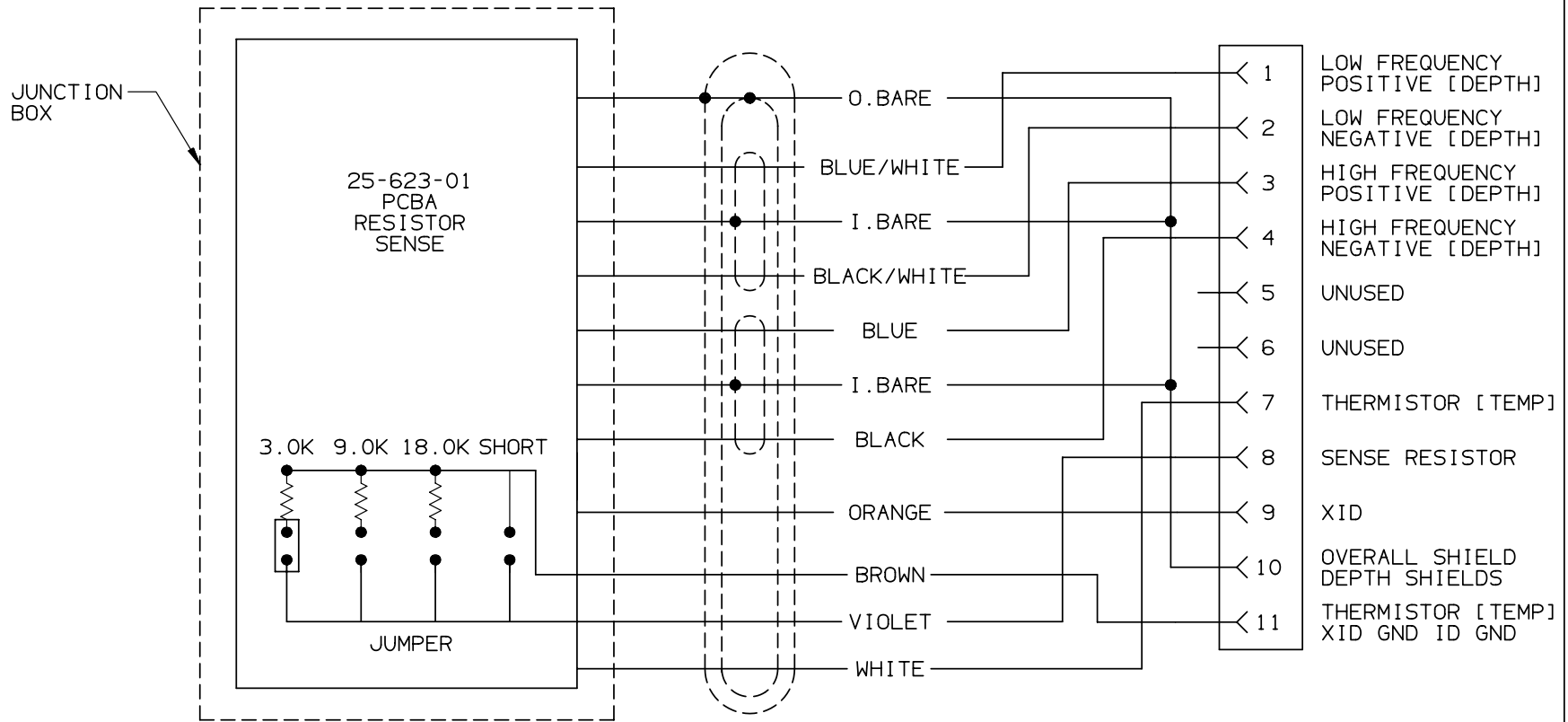
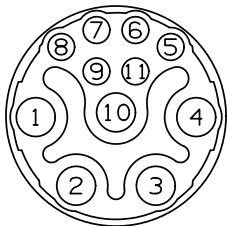


THIRD ANGLE PROJECTION		REVISIONS			
REV	DESCRIPTION	ECO NO	DATE	CHG/CHK	
01	RELEASE TO PRODUCTION.	11940	09/05/13	SMB/CDS	



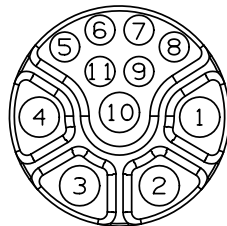
NOTE:

1. BRAID IS CUT OFF ON BOTH ENDS.



SOLDER LUG VIEW

11 PIN LTW FEMALE CONNECTOR



CONTACT VIEW

UNLESS OTHERWISE SPECIFIED DIMENSIONS ARE IN INCHES TOLERANCES ON 2 PL DECIMALS ±0.02 3 PL DECIMALS ±0.005 ANGLES ± 1/2° FRACTIONS ± 1/32 SURFACE FINISH R_{a} 63	SIGNATURE	DATE	AIRMAR AIRMAR TECHNOLOGY CORPORATION 35 HEADBROOK DR MILFORD NH 03055-4613 USA TEL: 603-673-9570 FAX: 603-673-4624
	ORIGINATOR J. JEFFERS	08/20/12	
	DRAWN A. BIATHROW	08/20/12	
	CHECKED J. JEFFERS	08/20/12	
	APPROVED F. BOERICKE	08/24/12	TITLE
MATERIAL AIRMAR CABLE: 06-304 LTW CONNECTOR: 05-291-01			WIRING, CHIRP TRANSDUCER JUNCTION BOX, C304, 11F-LTW
SIZE		SCALE: NONE	NUMBER
B		SHEET 1 OF 1	91-1165 REV 01
THIS DOCUMENT AND THE DATA DISCLOSED HEREIN OR HEREWITH IS NOT TO BE REPRODUCED, USED, OR DISCLOSED IN WHOLE OR IN PART TO ANYONE WITHOUT THE PERMISSION OF AIRMAR			<input type="checkbox"/> CRITICAL DIMENSIONS <input type="checkbox"/> DO NOT SCALE DRAWING