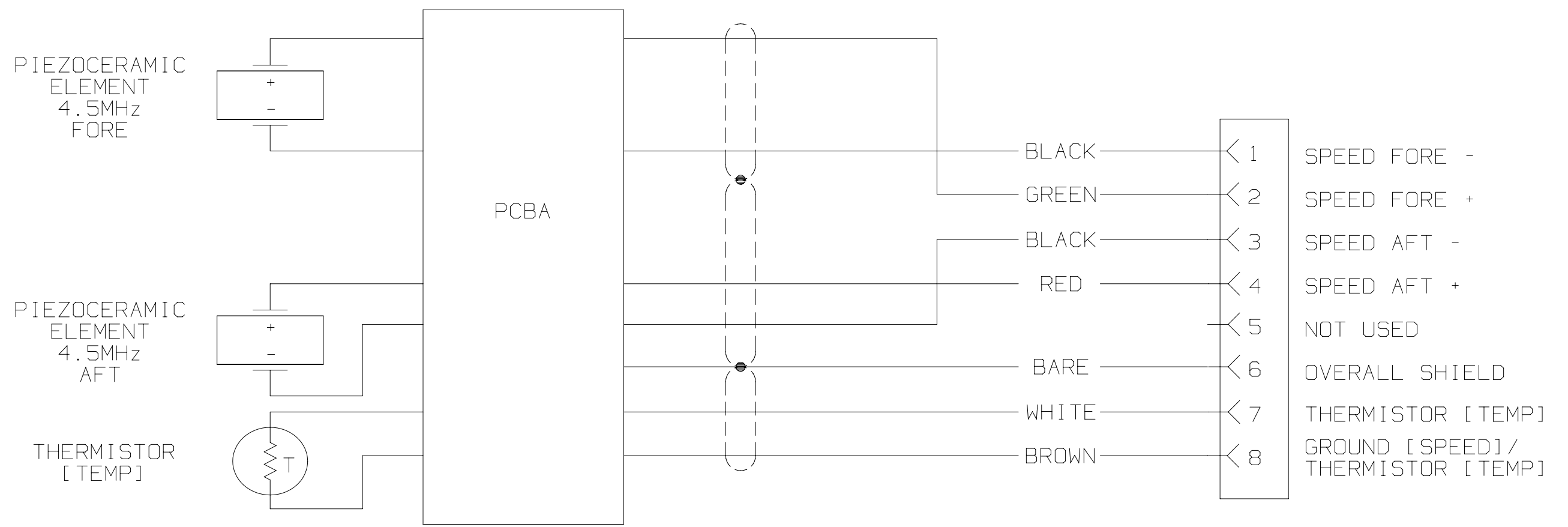
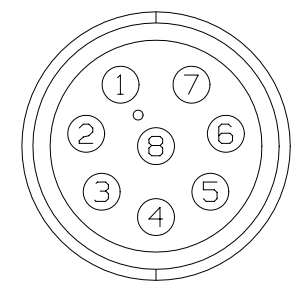


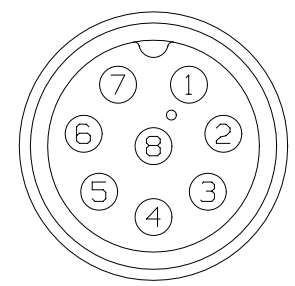
THIRD ANGLE PROJECTION		REVISIONS				
		REV	DESCRIPTION	ECO NO	DATE	CHG/CHK
01		RELEASE TO PRODUCTION.		13854	09/22/16	ALB/CDS
02		CHANGE NOTE 1 FROM RED & BLK PAIR TO BLUE & BLK PAIR.		15116	04/25/18	RLE/CDS



SOLDER LUG VIEW



CONTACT END VIEW



8 PIN AIRMAR FEMALE CONNECTOR

NOTES:

1. BLUE AND BLACK PAIR IS CUT OFF AT BOTH ENDS.

UNLESS OTHERWISE SPECIFIED DIMENSIONS ARE IN INCHES TOLERANCES ON 2 PL DECIMALS ±0.02 3 PL DECIMALS ±0.005 ANGLES ± 1/2° FRACTIONS ± 1/32 MIN. SURFACE FINISH 250	SIGNATURE	DATE	AIRMAR AIRMAR TECHNOLOGY CORPORATION 35 MEADOWBROOK DR MILFORD NH 03055-4613 USA TEL: 603-673-9570 FAX: 603-673-4624
	ORIGINATOR J. JEFFERS	10/22/15	
	DRAWN A. BIATHROW	10/22/15	
	CHECKED F. BOERIKE	02/18/16	
	APPROVED I. ROBB	09/12/16	TITLE
MATERIAL			WIRING, CORRELATION SPEED AND TEMP, C277 8F-A
CABLE 06-277		SIZE B	SCALE: NONE
CONN 05-102-8		NUMBER 91-1102 REV 02	
		SHEET 1 OF 1	