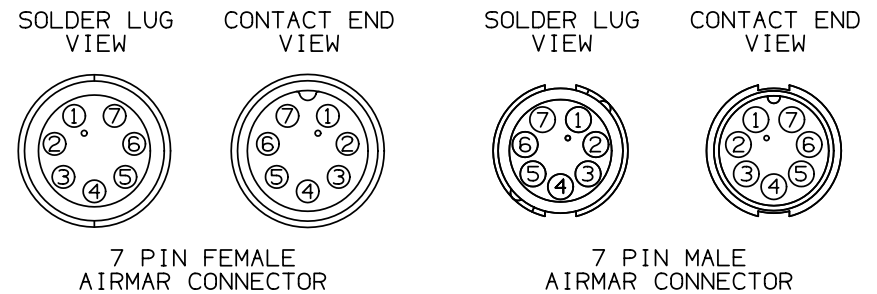
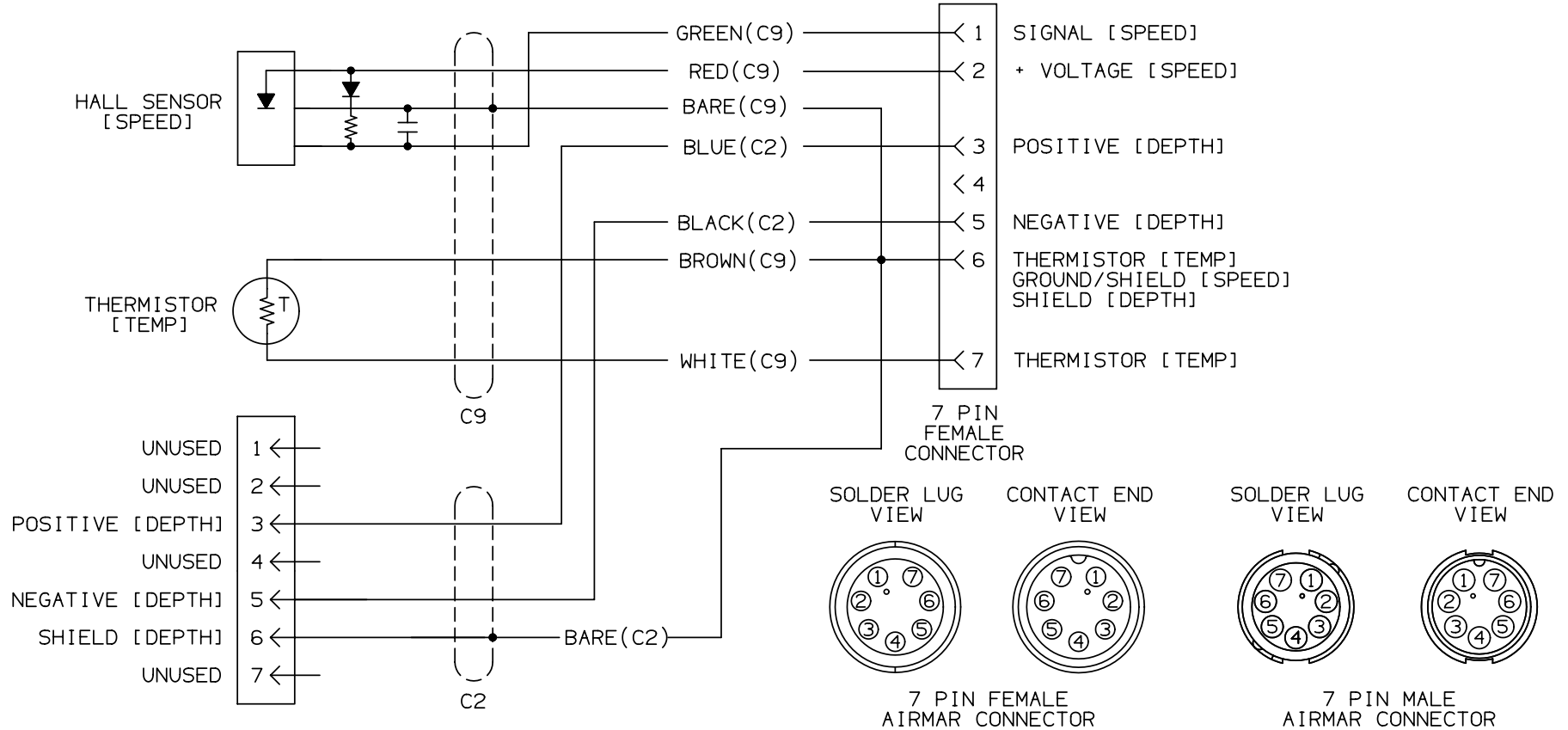


THIRD ANGLE PROJECTION		REVISIONS			
REV	DESCRIPTION	ECO NO	DATE	CHG/CHK	
01	RELEASE TO PRODUCTION	96E0537	07/08/96	FSC/ALN	
02	CHANGE 91-075 TO 91-237 IN GRAPHIC.	96E0586	07/30/96	FSC/ALN	
02A	NEW FORMAT.	00E0362	06/28/00	JLC/FSC	
03	UPDATE COSMETICS.	00E0362	06/28/00	JLC/FSC	



7 PIN MALE CONNECTOR

UNLESS OTHERWISE SPECIFIED DIMENSIONS ARE IN INCHES TOLERANCES ON 2 PL DECIMALS ±0.02 3 PL DECIMALS ±0.005 ANGLES ± 1/2° FRACTIONS ± 1/32 SURFACE FINISH 250	SIGNATURE	DATE	AIRMAR TECHNOLOGY CORPORATION 35 HEADSBROOK DR MILFORD NH 03055-4613 USA TEL: 603-673-9570 FAX: 603-673-4624
	DRAWN F. CHASE	07/03/96	
	CHECKED J. JEFFERS	07/08/96	
MATERIAL	AIRMAR CABLE #06-002 AIRMAR CABLE #06-009 AIRMAR CONNECTOR #05-102-7 AIRMAR CONNECTOR #05-103-7		TITLE WIRING, Y CABLE, DST C2 AND C9 CABLES 7F-A, 7M-A
SIZE		SCALE: NONE	NUMBER
B		SHEET 1 OF 1	91-237 REV 03