

# CA500

# Retractable Camera

Preliminary

See what your  
transducer sees.



## Underwater Viewing Power

Combine the fish-finding power of an Airmar transducer with the viewing capability of the Airmar Camera and get the ultimate underwater observation system. This thru-hull camera will display what is directly below the boat, making it an ideal underwater fishing camera or underwater video surveillance/safety system. Simply connect the single cable to any display with an NTSC or PAL input and spy on the underwater world.

## Rugged and Serviceable

We have combined the industry renowned Airmar housings with one of the lowest Lux (0.01) cameras available today—all protected by a sapphire viewing window that resists scratching or cracking. The retractable housing with a valve is available in plastic or stainless steel and allows for easy servicing and cleaning of the camera while the boat is in the water. See what you have been missing with the Airmar underwater camera.

- Low lux (0.01) for day/night viewing
- NTSC or PAL input versions available
- Available in stainless steel or plastic housing
- Waterproof
- Sapphire viewing window
- Retractable insert with self-closing water valve

## Applications

- Sport fishing
- Research and survey
- Scuba diving
- Search and recovery
- Commercial fishing



# CA500

## Technical Information

# Retractable Camera

### Specifications

#### Weight

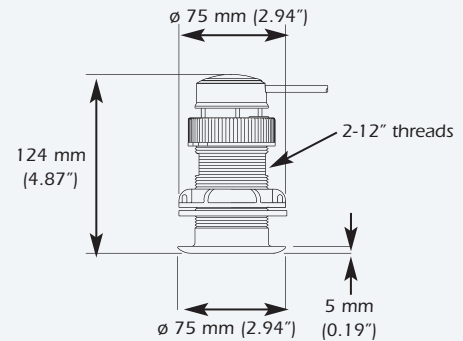
Plastic ..... 0.9 kg (2.0 lb)

Stainless Steel ..... 1.9 kg (4.2 lb)

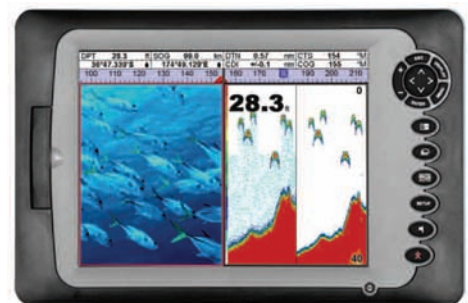
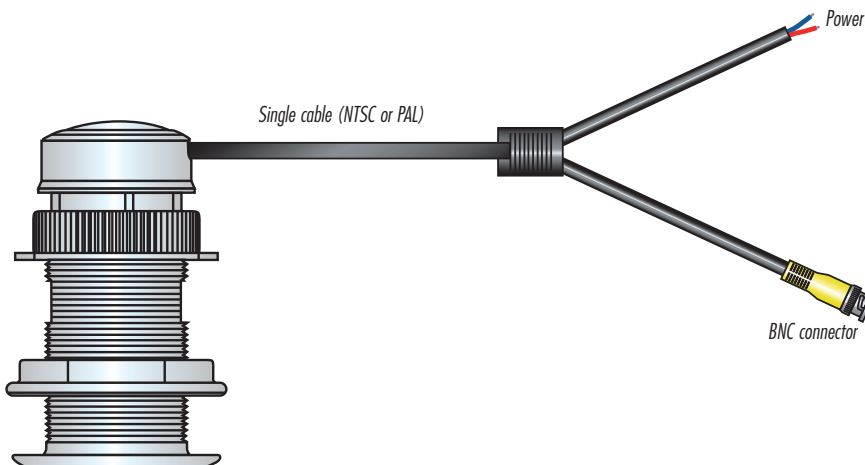
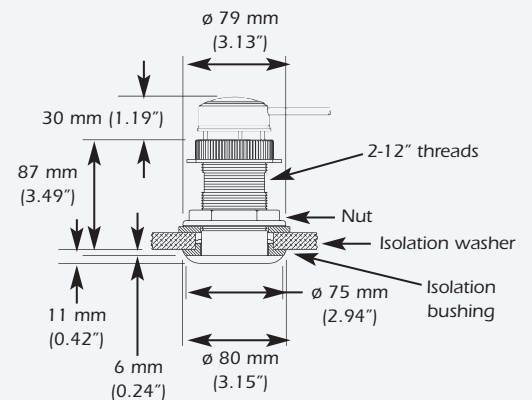
Camera .....	1/3" Sony CCD
PAL (H x V) .....	500 x 582, 625 lines, 50 field per second
NTSC (H x V) .....	510 x 492, 525 lines, 60 field per second
Operating Temperature .....	-10°C to 50°C (14°F to 122°F)
Storage Temperature .....	-20°C to 60°C (-4°F to 140°F)
Sync System .....	Internal synchronization
Minimum Illumination .....	0.5 day/0.01 night Lux
Resolution .....	420 TV lines
Angle of View In Water .....	92° diagonal
Focal Length .....	3.6 mm (0.14")
Aperture .....	F 2.0
Built-In Lens .....	4.3 mm (0.17") cone pinhole lens
S/N Ratio .....	>46dB
White Balance .....	1 Vp-p 75 ohms negative
Power Consumption .....	DC 12V 100 mA
CE Regulations .....	Complies to IERC945
Standard Cable Length .....	20 m (66')

### CA500 Dimensions

#### P617 Plastic



#### SS617 Stainless steel



On-board display

©Airmar Technology Corporation

All specifications are subject to change without notice.  
CA500\_rC 01/05/07